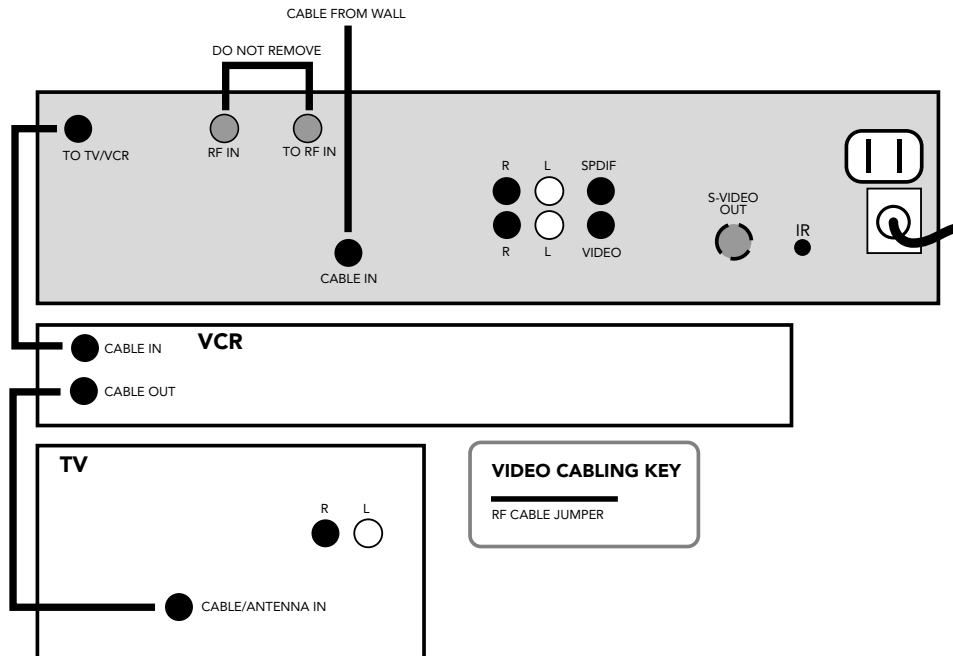


DIGITAL TUNER WITH VCR



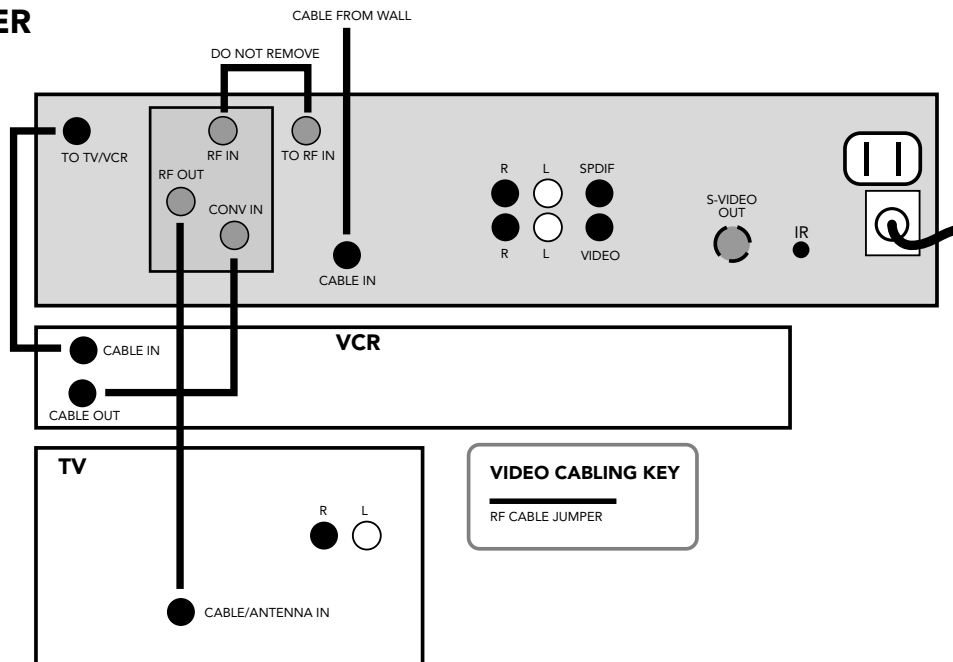
DIGITAL TUNER RF BYPASS

The RF Bypass setup is only available on converters with RF Bypass connections.

Standard issue with the Digital Tuner are three RF cable jumpers with the RF bypass attachment and two without the RF Bypass attachment.

Customers have the option to purchase other types of video and audio cables.

DCT 700 outputs are limited to RF in, left and right audio and video.



Buckeye CableSystem

Tuner Connection and Setup

Allow 15 - 30 minutes after connecting your tuner to set these features.

AUTO TUNE

By setting the auto tune to YES, you are not required to enter 3 or 4 digits, press select, or OK after entering numbers on the remote. Follow these steps to set your AUTO TUNE:

- Press the MENU button on your remote twice.
- Navigate the yellow oval, by pressing the ARROW keys in the center of your remote, to the SETUP option and press the SELECT or OK button.
- Press the SELECT or OK button again on the GUIDE SETUP option.
- Navigate the yellow oval down, by pressing the ARROW button pointing down in the center of your remote, next to the CHANNEL ENTRY BEHAVIOR.
- By pressing the LEFT ARROW button the feature will switch from "auto tune" to "no auto tune."
- Once the AUTO TUNE feature is on, press the exit button. Your auto tune feature is now set.

TIME DISPLAY

Displays the current time on the front of the terminal. To setup your TIME DISPLAY, follow these steps:

- Press the MENU button on your remote control twice.
- Navigate the yellow oval, by pressing the arrow keys in the center of your remote, to the SETUP option and press the SELECT or OK button.
- Navigate the yellow oval down, by pressing the ARROW button pointing down in the center of your remote, to the CABLE BOX SETUP option and press the SELECT or OK button.

- By pressing the right arrow button the FRONT LED DISPLAY feature will switch from the current channel to the current time.
- Once the TIME is on, press the EXIT button. Your time display feature is now set.

Note: Time display is not available with all converter models

RF BYPASS

Setting the RF BYPASS feature will enable you to watch a program on one channel while recording to a VCR from another channel. To setup your RF BYPASS follow these steps:

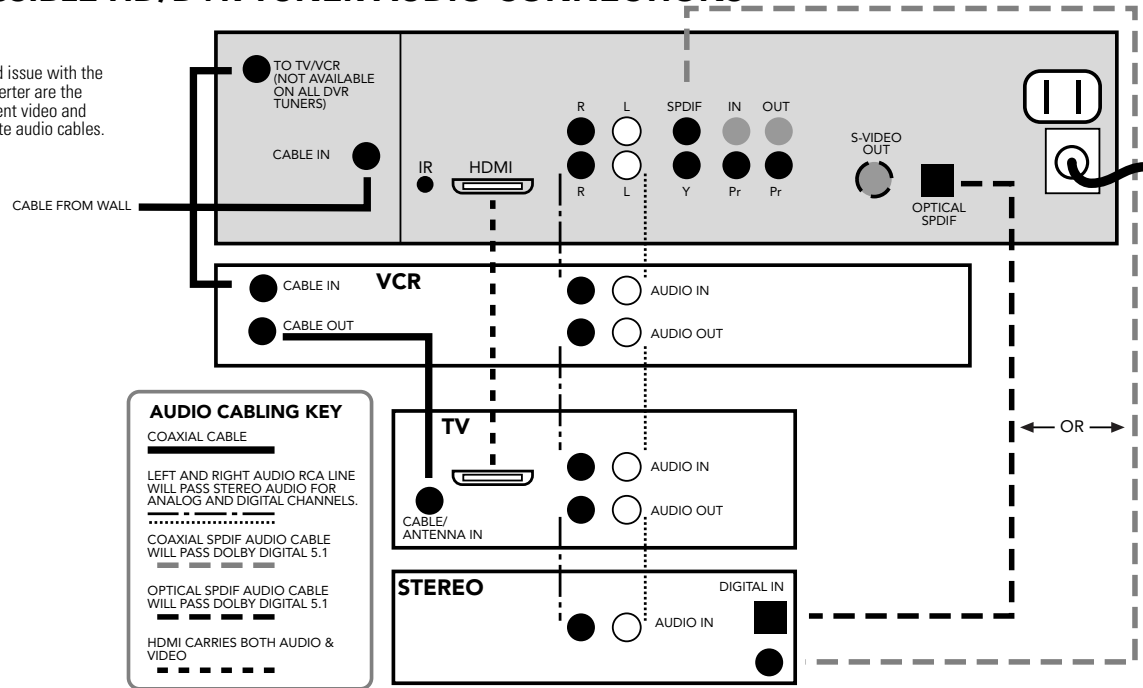
- Press the MENU button on your remote control twice.
- Navigate the yellow oval, by pressing the ARROW keys in the center of your remote to the SETUP option and press the SELECT or OK button.
- Navigate the yellow oval down, by pressing the ARROW button pointing down in the center of your remote, to the CABLE BOX SETUP option and press the SELECT or OK button.
- Navigate the yellow oval down, by pressing the ARROW button pointing down in the center of your remote, next to the RF BYPASS feature. By pressing the RIGHT ARROW button the RF BYPASS feature will switch "OFF" to "ON."
- Once the RF BYPASS is on, press the EXIT button. Your RF BYPASS is now set.

For more information about the interactive guide for your digital cable visit TV Guide's website at www.i-guide.tv.com. For more remote programming information and codes visit www.urcsupport.com.

419.724.9800
419.627.0800 (Erie County)
buckeyecablesystem.com

POSSIBLE HD/DVR TUNER AUDIO CONNECTIONS

Standard issue with the HD converter are the component video and composite audio cables.



AUDIO CABLING KEY

COAXIAL CABLE
 LEFT AND RIGHT AUDIO RCA LINE WILL PASS STEREO AUDIO FOR ANALOG AND DIGITAL CHANNELS.

COAXIAL SPDIF AUDIO CABLE WILL PASS DOLBY DIGITAL 5.1

OPTICAL SPDIF AUDIO CABLE WILL PASS DOLBY DIGITAL 5.1

HDMI CARRIES BOTH AUDIO & VIDEO

POSSIBLE HD/DVR TUNER VIDEO CONNECTIONS

One set of component and composite cables are issued along with the HD Tuner.

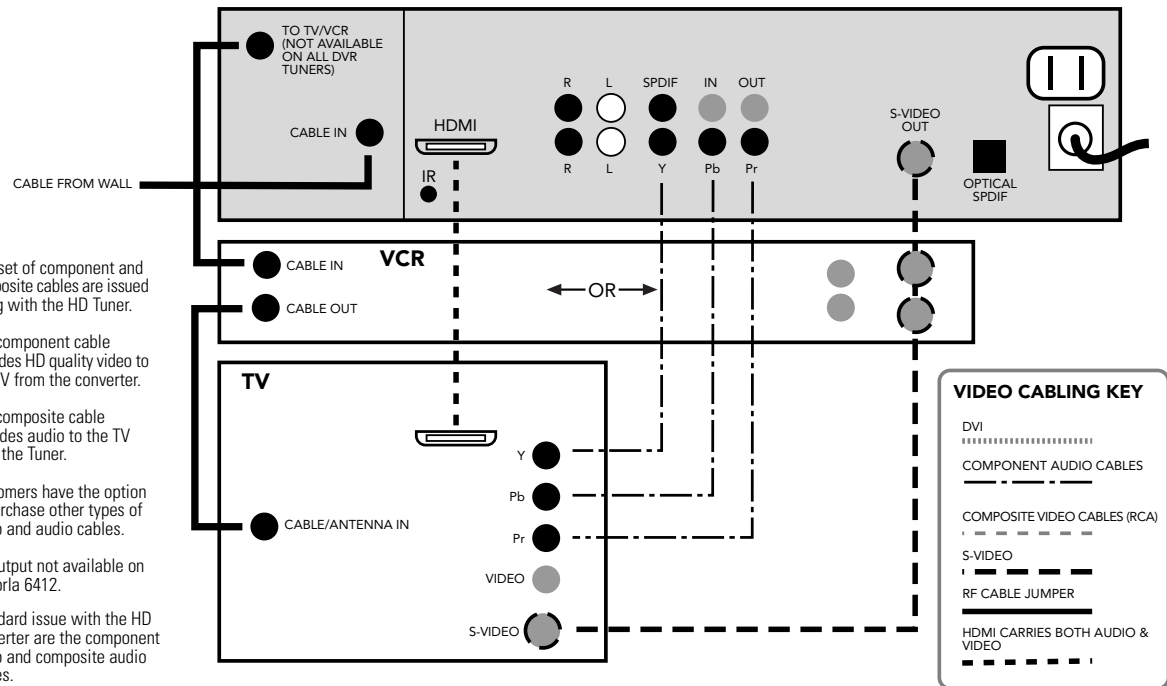
The component cable provides HD quality video to the TV from the converter.

The composite cable provides audio to the TV from the Tuner.

Customers have the option to purchase other types of video and audio cables.

RF Output not available on Motorola 6412.

Standard issue with the HD converter are the component video and composite audio cables.



VIDEO CABLING KEY

DVI

COMPONENT AUDIO CABLES

COMPOSITE VIDEO CABLES (RCA)

S-VIDEO

RF CABLE JUMPER

HDMI CARRIES BOTH AUDIO & VIDEO